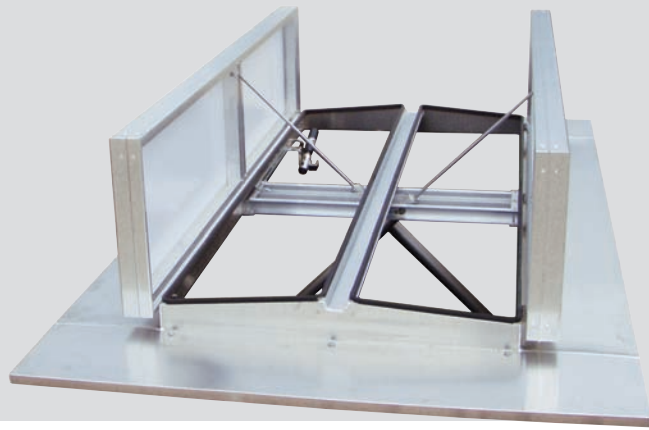


# Apollo / Apollo ATI Natural Smoke Ventilator



PRODUCT | APOLLO / APOLLO ATI

## NATURAL SMOKE VENTILATOR

### PRODUCT DESCRIPTION

Apollo / Apollo ATI is a natural ventilator providing both smoke ventilation and environmental ventilation. If the translucent flap option is selected, natural daylight can enter through its flaps. It has been tested to EN12101-2 and is CE marked.

The ventilator is manufactured from high quality components with the main body constructed from corrosion resistant AlMg3 alloy. The sealing system consists of EPDM profiles which keep air leakage down to a minimum. The flaps can either be insulated aluminium panels or translucent polycarbonate sheets which are fitted into extruded aluminium frames. The following polycarbonate options are available:

- 16mm 7 ply
- 10mm + 6mm solid polycarbonate

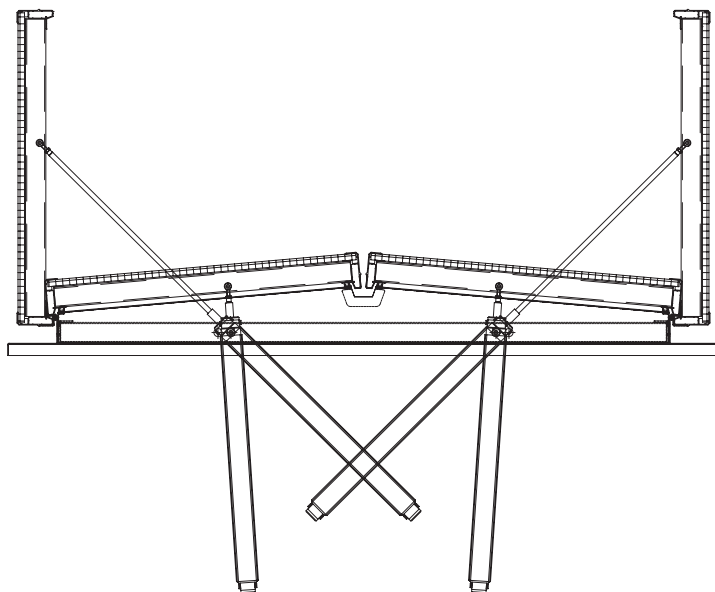
The external surface of the polycarbonate sheets has been UV treated and this construction can accommodate thermal expansion without damage.

There are many different size and flange options which enable easy installation onto an upstand or into all manner of roofing types. The ventilator is light weight and low profile thus reducing installation costs and loads placed onto the building structure.

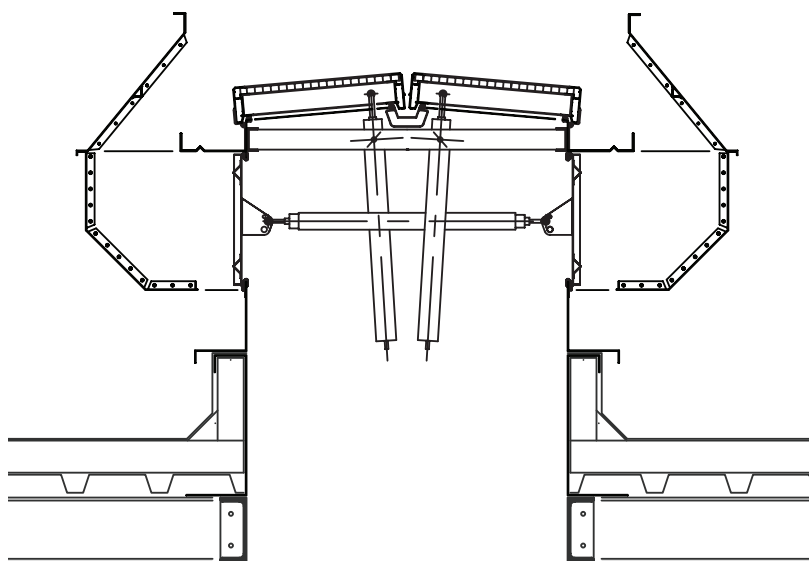


**Apollo (see upper image) provides both smoke ventilation and environmental / day-to-day ventilation.**

**Apollo ATI (see lower image) provides environmental / day-to-day ventilation when it's raining through its side flaps.**



Section of Apollo in open and closed positions



Section of Apollo ATI in closed position

TECHNICAL DETAILS

**Apollo**

Apollo may be installed either onto roofs or into barrel vault daylighting systems.

Specially developed stainless steel hinges ensure smooth operation. Strong aluminium channel sections ensure stability. The rain channel has been designed to optimise aerodynamic efficiency.

Either single skin or double skin bases are available. The unit is opened and closed by either pneumatic cylinders or 24V electric actuators.

Other features include:

- Available up to a maximum width of 2,500mm x length of 3,000mm in mm increments
- Flap sizes up to 7.5m<sup>2</sup> opening
- May provide either inlet or extract ventilation.

**Apollo ATI**

Apollo ATI differs from Apollo in that it incorporates longitudinal side flaps and aerodynamic deflectors set within a wind baffle. This enables it to provide weathered ventilation.

The rain channel has been designed to optimise aerodynamic efficiency. The side dampers are controlled either by a pneumatic cylinder with integral spring return or by a 24V electric actuator.

- Available up to a maximum width of 1,900mm x length of 3,000mm in mm increments
- Flap sizes up to 5.7m<sup>2</sup> opening
- High volume ventilation in good weather
- Rainproof ventilation

Features of both options:

- Many colour options
- Manual, electric or pneumatic failsafe control options
- Low in weight
- Good U values (best is U = 1.8)
- Low price to performance ratio